

HAISAN TUBE ICE MACHINE



Freezer cladded with stainless steel sheet & frame dressed up (with subcontrol panel)

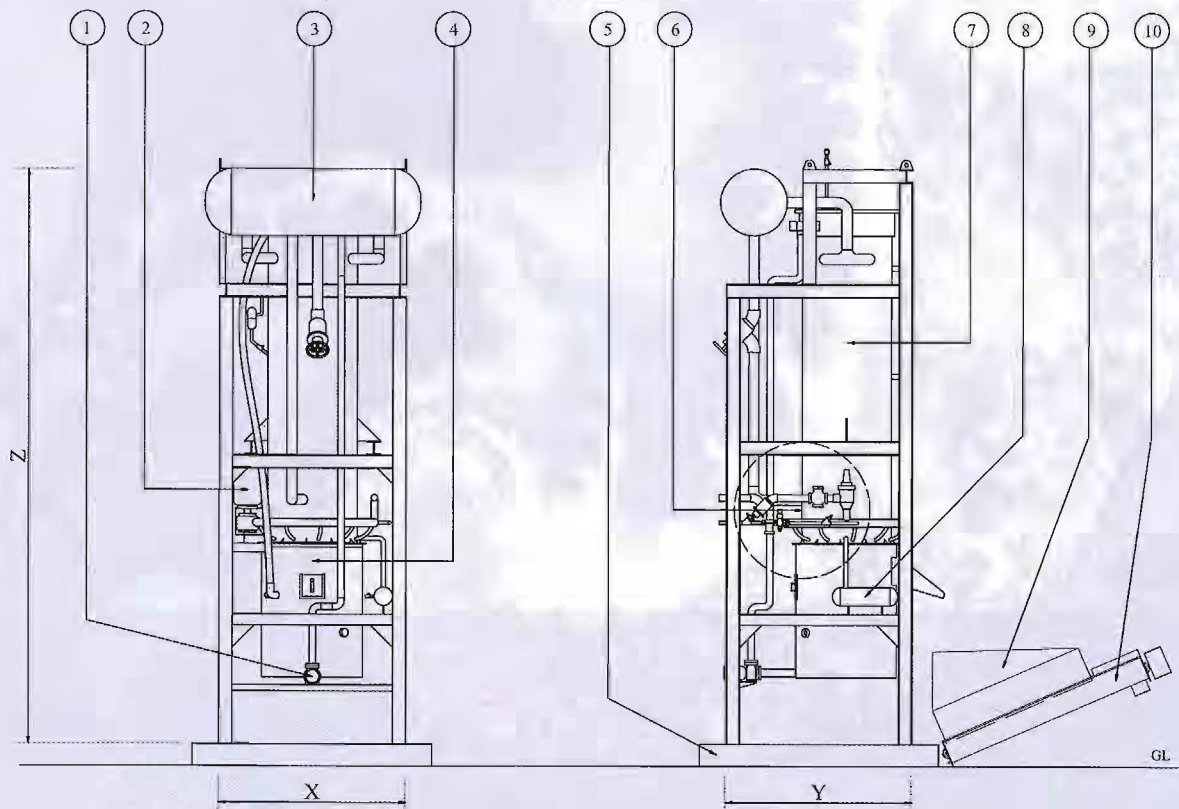
Tube Ice collector bin and screw conveyor made of stainless steel

All models can be sized for production of 25.4mm to 40mm tube ice

Main electrical control panel standard at 3ph / 380V / 50Hz (adaptable)

Reciprocating Single Stage compressor & Motor pack with accessories on steel basement

Shell and Tube condenser (water cooled) are available



- ① WATER PUMP C/W MOTOR
- ② MOTOR FOR ICE CUTTER
- ③ SUCTION ACCUMULATOR
- ④ ICE CUTTER SECTION
- ⑤ FOUNDATION
- ⑥ VALVES AND CONTROLS
- ⑦ MAIN SECTION
- ⑧ OIL DRUM
- ⑨ HOPPER
- ⑩ SCREW CONVEYOR C/W MOTOR

Model	PK 15000	PK 30000	PK 50000	PK 60000
Capacity/day*	15T	30T	50T	60T
Sizes available	25.4mm, 32mm & 40mm			
Dimensions :				
Length (X)	2140mm	2140mm	2140mm	2140mm
Width (Z)	2140mm	2140mm	2140mm	2140mm
Height (Y)	6400mm	6600mm	6400mm	7620mm

Haisan Sdn Bhd. (170102-M)

Lot 506, Jalan Pelabuhan Utara, Bandar Sultan Suleiman, 42000

Pelabuhan Klang, Selangor Darul Ehsan, Malaysia

Tel : (603) 3168 9626 (7 Lines)

Fax : (603) 3168 1418/3165 3672

Website : <http://www.haisan.com>

E-mail : contact@haisan.com